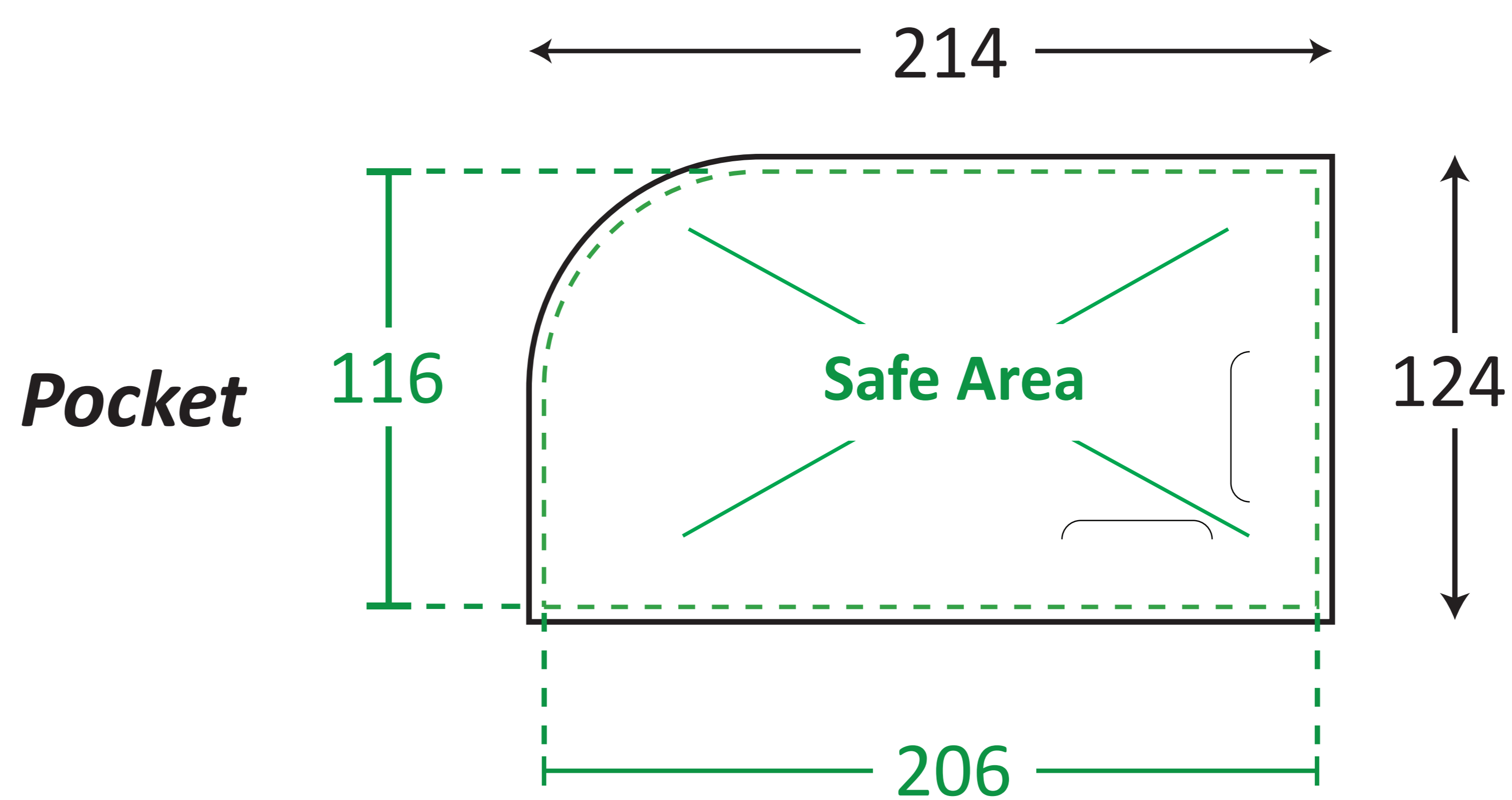
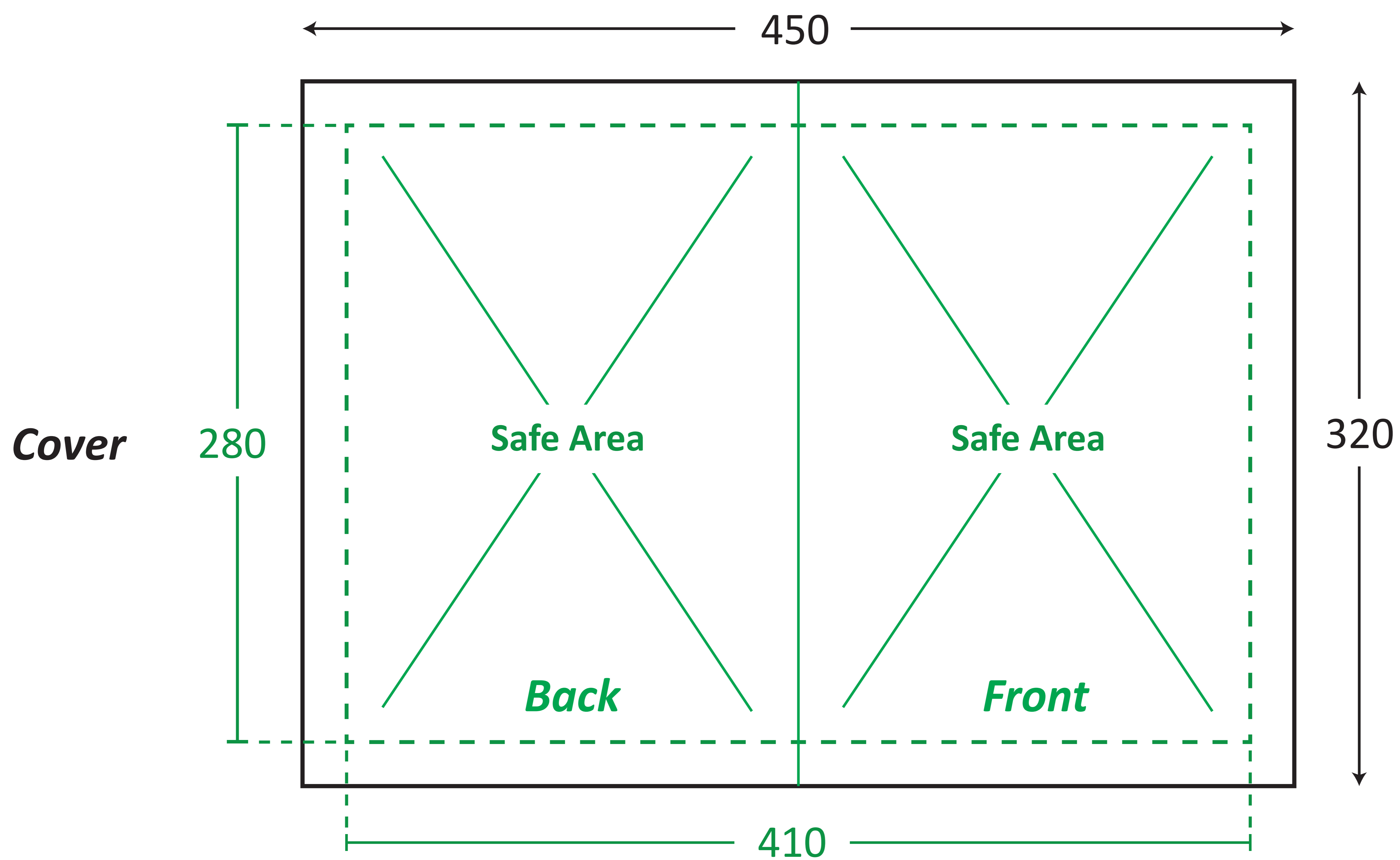


Corporate Folder

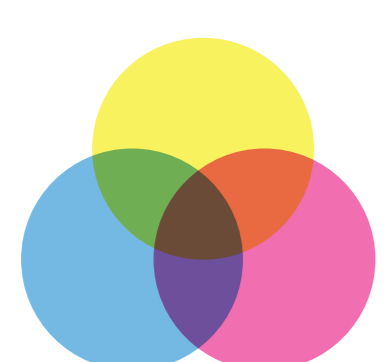
TEMPLATE GUIDE FOR PRINTING PRODUCTS



Unit : Millimetres (mm)

----- Safe Area
 _____ Print Area

ARTWORK GUIDELINES



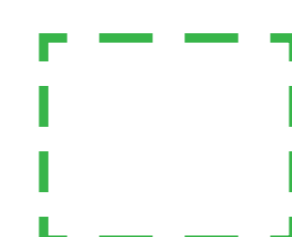
Color Format : CMYK



Submit File Without Markings



File Format : PDF, EPS



Important Text & Images In Safe Area